

8" Vari-Junior LED



Type 9511 Variable-Color

Features

High output, single source proprietary Mole-Richardson LED powered by house circuit, green & magenta correction, factory preset & variable-color temps, 4-channel DMX, LumenRadio, RDM, dual user interface for local control – 2.8" LCD touch-screen and twist & push selector, Bluetooth connectivity via Mole-Richardson iOS App, firmware upgradeable and user presets

Specifications

Head: Type 9511 Variable-Color. 8" Vari-Junior LED.

Rating: 90-250 Volts AC, 50-60Hz, 180 Watts, 3 Amps Max.
DMX Standby Draw <0.2 Amps Max. 30V DC

Light Source: (1) - 180 Watt Mole-Richardson LED
2700-6500K 95+CRI, with +/- Green

Cable: Detachable 20 ft. (6m) Cable, PowerCON TRUE1 to Edison with
Inline Toggle Switch (included in price of fixture)

Fuse: 3 Amp SlowBlow. Fuse holder in trough

DMX Control (Hardwire or LumenRadio): 4 Channels, Color Temp,
Intensity, Plus Green, Plus Magenta

Bluetooth: Intensity and Color Control Via Mole-Richardson iOS App

Condenser: 8 in (203mm) Borosilicate Glass Fresnel

Beam Angle: 20° to 55° Variable Spot to Flood (Includes Field)

Focusing: Rear Mounted Focusing Knob

Cooling: Forced Air, Fan Speed Controlled by Temperature

Construction: Aluminum

Yoke: Aluminum with Standard Junior 1 1/8 in. (29mm) Pin

DC In: 30V DC, Regulated Constant Voltage

Compliance: RoHS.

IP Rating: 30

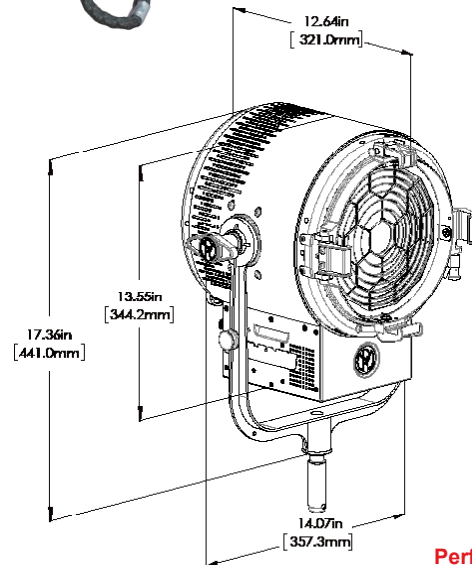
Finish: Textured Powder Epoxy Coat. Black / Red

Size: 17.70 in(w) x 19.03 in(d) x 25.56 in(h)

Weight: 24 lbs/10.90 kg

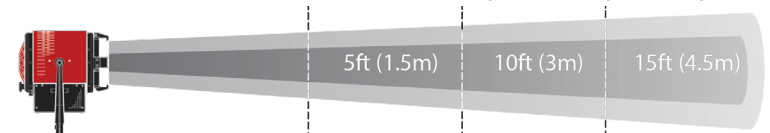
Accessories

	Item Number
4-Way JuniorLED Barn Door	89485
Diffuser Frame (9" dia.)	4133
Half Single Scrim—Stainless Steel (9" dia.)	4138S
Half Double Scrim—Stainless Steel (9" dia.)	4138D
Full Single Scrim—Stainless Steel (9" dia.)	4139S
Full Double Scrim—Stainless Steel (9" dia.)	4139D
Scrim Bag	G137
Snoot (Set of 3)	413316
Molesnoot (Five-in-one) Apertures: 2", 2 3/8", 2 3/4", 3 1/8" and 3 1/2"	41310



Performance Data

Using (1) 180 Watt high output single LED.



3200K TUNGSTEN				
Foot Candles (Lux)	FLOOD	750 (8073)	180 (1937)	88 (947)
	SPOT	1642 (17674)	415 (4467)	204 (2196)
6500K DAYLITE				
Foot Candles (Lux)	FLOOD	1000 (10764)	230 (2476)	109 (1173)
	SPOT	2200 (23680)	530 (5705)	255 (2745)
Beam Diameter Feet (meters)	FLOOD	3.4 (1)	6.8 (2.1)	10.3 (3.1)
	SPOT	1.1 (0.5)	2.3 (0.7)	3.4 (1)

