

Vari-Soft Panel LED

Type 9421

Features

2.8" LCD Touch-Screen and Twist & Push Selector, Factory Preset and Variable Color Temperatures, Green and Magenta correction, Lumen Radio, RDM, User Presets, firmware upgradeable, and Bluetooth Connectivity Via Mole-Richardson iOS App.

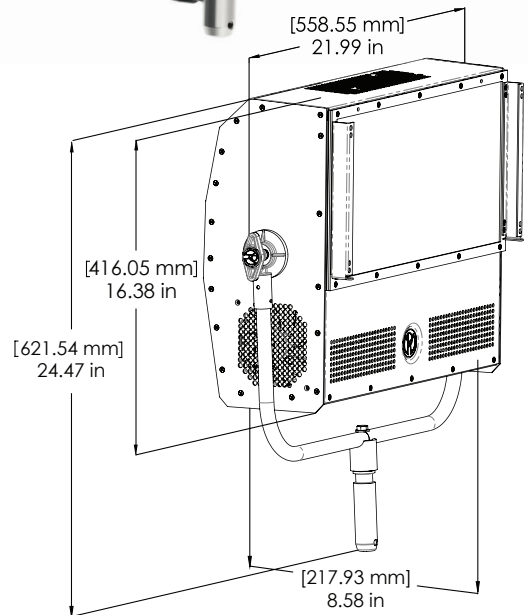
Specifications

- Head:** Type 9421 Variable-Color, Vari-Soft Panel LED
- Rating:** 90-250 Volts AC, 50-60Hz, 400 Watts, 4 Amps Max
DMX Standby Draw <0.1 Amps Max 30V DC
- Light Source:** (2) - 200 Watt Mole-Richardson LED
2700-6500K 95+CRI , with +/- Green
- Cable:** Detachable 20 ft. (6m) Cable, PowerCON TRUE1 to Edison with Inline Toggle Switch (included in price of fixture)
- Fuse:** 4 Amp Slow-Blow. Fuse holder in trough
- DMX Control (Hardwire or LumenRadio):** 4 Channels, Color Temp, Intensity, Plus Green, Plus Magenta
- Blue-tooth:** Intensity and Color Control Via Mole-Richardson iOS App
- Diffuser:** 1/8 in. Thick 20° Diffused Polycarbonate Substrate
- Beam Angle:** 160° (Includes Field)
- Bounce Reflector:** 95% Reflective White Porous Aluminum
- Cooling:** Forced Air, Fan Speed Controlled by temperature
- Construction:** Aluminum
- Yoke:** Aluminum. Combo 5/8 in. Baby Pin and 1 1/8 in. Junior Pin
- DC In:** 30V DC, Regulated Constant Voltage
- Compliance:** RoHS
- IP Rating:** 30
- Finish:** Textured Powder Epoxy Coat. Black / Red
- Size:** 22 in.(w) x 8.58 in.(d) x 24.47 in.(h)
- Weight:** 23 lbs/10.43 kg.

Accessories

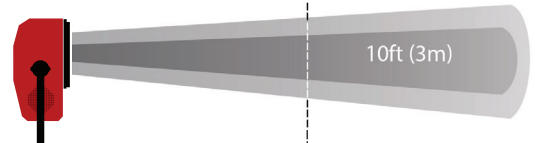
Egg Crate	2595
Diffuser Frame (18 1/4" x 8 1/4")	25930
Full Single Scrim—Stainless Steel (18 1/4" x 8 1/4")	25979S
Full Double Scrim—Stainless Steel (18 1/4" x 8 1/4")	25979D

Item Number



Performance Data

Using (2) 200 Watt high output LED.



3200K TUNGSTEN		
Foot Candles (Lux)	FLOOD	80 (861)
6500K DAYLITE		
Foot Candles (Lux)	FLOOD	100 (1076)

