

Type 8941 Tungsten  
Type 8841 Tungsten (Non-DMX)  
Type 8951 Daylite  
Type 8851 Daylite (Non-DMX)



## Specifications

**Head(s):** Type 8941 Tungsten and Type 8951 Daylite

**Rating:** 90-250 Volts AC, 50-60Hz, 200 Watts, 2 Amps Max.  
DMX Standby Draw < .10 Amps Max.

**Light Source:** (1) - 200 Watt Mole-Richardson LED  
3200K 95CRI Tungsten & 5600K 90CRI Daylight

**Cable:** Detachable 20 ft. (6m) cable, powerCON to Edison with inline toggle switch (included in price of fixture)

**Switch:** Thru-cord Toggle in Cable, DMX or Local Toggle in Trough

**Fuse:** 2 Amp Slow-Blow. Fuseholder in Trough

**Dimming:** Flicker Free, Direct DC Dimming  
Local Dimmer 100% - 0% (Minimal Color Shift)  
DMX Dimmer 100% - 0% (Minimal Color Shift)

**Control:** DMX512-A In and Out. Manual DMX Address Selector

**Condenser:** 8 in (203mm) Borosilicate Glass Fresnel

**Beam Angle:** 13° to 54° Variable Spot to Flood (Includes Field)

**Focusing:** Rotating Knob on Front and Back

**Cooling:** Passive-Forced Air

**Construction:** Aluminum and Steel with Interlocking Channels

**Yoke:** Cast Aluminum w/Standard 1 1/8 in (29mm) Pin

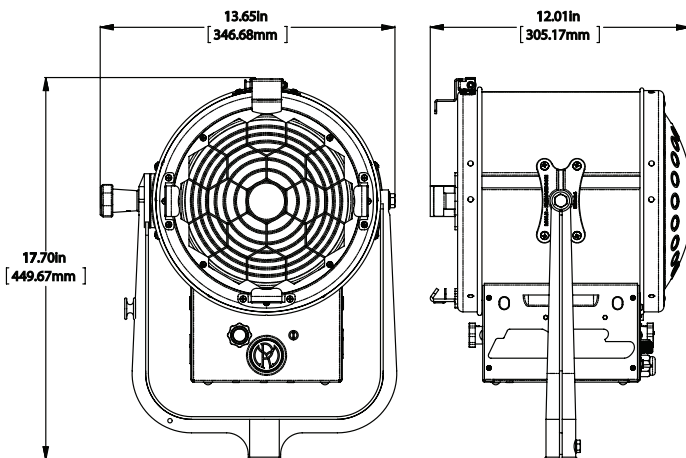
**Compliance:** RoHS, CE, UL, CSA

**IP Rating:** 30

**Finish:** Textured Powder Epoxy Coat.

**Size:** 12 in/305mm(d) x 14 in/356mm(w) x 20 5/8 in/524mm(h)

**Head Weight:** 14lbs/6.40kg (Head Only)  
16lbs/7.23kg (Head with 25ft/7.6m cable)



## Accessories

Accessories	Item Number
4-Way JuniorLED Barn Door	89485
Diffuser Frame (9" dia.)	4133
Half Single Scrim—Stainless Steel (9" dia.)	4138S
Half Double Scrim—Stainless Steel (9" dia.)	4138D
Full Single Scrim—Stainless Steel (9" dia.)	4139S
Full Double Scrim—Stainless Steel (9" dia.)	4139D
Scrim Bag	G137
Snoot (Set of 3)	413316
Molesnoot (Five-in-one) Apertures: 2", 2 1/8", 2 3/8", 3 1/8" and 3 1/2"	41310
200 Watt JuniorLED Retrofit Kit, Tungsten	894110
200 Watt JuniorLED Retrofit Kit, Daylite	895110

## Performance Data

Using (1) 200 Watt Mole-Richardson QD LED

Distance Feet (Meters)	Light Intensity Maximum Flood Foot Candles (Lux) Daylite	Light Intensity Maximum Flood Foot Candles (Lux) Tungsten	Light Intensity Maximum Spot Foot Candles (Lux) Daylite	Light Intensity Maximum Spot Foot Candles (Lux) Tungsten	Beam Diameter Maximum Flood Feet (Meters)	Beam Diameter Maximum Spot Feet (Meters)
5 (1.5)	680 (7,320)	620 (6,674)	1,900 (20,451)	1,800 (19,375)	3.4 (1.0)	1.1 (0.3)
10 (3)	180 (1,938)	160 (1,722)	450 (4,844)	450 (4,844)	6.8 (2.1)	2.3 (0.7)
15 (4.6)	80 (861)	70 (754)	200 (2,153)	200 (2,153)	10.3 (3.1)	3.4 (1.0)

Light tapers smoothly at edge of field. Dimensions listed define flat area boundaries at which the intensities are approximately 50% of tabulated intensities at beam center.