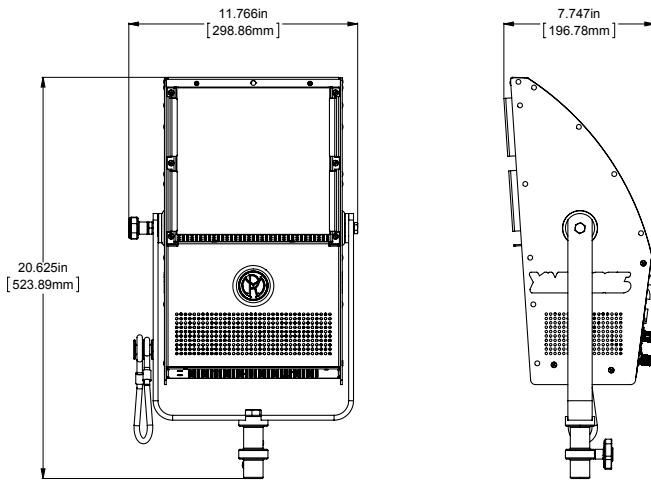




*Integrated on-board power supply



Specifications

Head: Type 956, Type 9561-51REV

Rating: 90-250 Volts AC, 50-60Hz, 200 Watts, 2 Amps Max.
DMX Standby Draw <.05 Amps Max.

Light Source: (2) - 100 Watt Mole-Richardson proprietary color mixing LEDs
97CRI 2700°K - 5600°K

Fuse: 3 Amp Slow-Blow. Fuseholder in Trough

Dimming: Flicker Free, Direct DC Dimming 100% - 0

Aperture: 8 in x 8 in (203mm x 203mm)

Beam Angle: 170° (Includes Field)

Bounce Reflector: 95% Reflective White Painted Aluminum

Cooling: Passive-Forced Air

Construction: Aluminum

Yoke: Aluminum Strap. Accepts 0.625 in (16 mm) dia. mounting hardware

Compliance: RoHS, CE, UL, CSA Pending

IP Rating: 30

Finish: Textured Epoxy Coat.

Size: 8 in/203mm(d) x 21 in/533mm(w) x 12 in/305mm(h)

Head Weight: 12lbs/5.45kg (Head with 20ft/6m cable)

Cable: Detachable 20 ft. (6m) cable, powerCON to Edison with inline toggle switch (included in price of fixture)

Local Control: Two on-board potentiometers

Dimming (100% - 0)

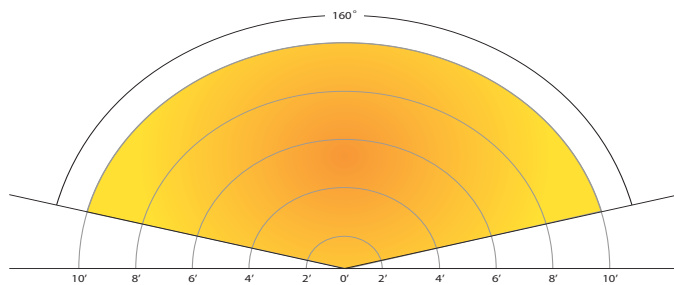
Color Temperature (2700°K to 5600°K)

DMX Control: Ch. 1 - Color Temp: 0 = 2700°K - 5600°K

Ch. 2 - Intensity: 0 - 100 %

Accessories

| | Item Number |
|--|--------------------|
| Egg Crate | 25827 |
| Diffuser Frame (8" x 8") | 25830 |
| Full Single Scrim—Stainless Steel (8" x 8") | 25876S |
| Full Double Scrim—Stainless Steel (8" x 8") | 25876D |
| Pass-thru Cable powerCon to powerCon- 25 ft. | 927352 |



Performance Data

Using (2) 100 Watt Mole-Richardson LED

| Distance Feet (Meters) | Light Intensity 150W LED Foot Candles (Lux) | | | | 2581 - Tungsten 1000W Foot Candles (Lux) - |
|------------------------------|---|-------|-------|-------|--|
| | 2700K | 3200K | 4300K | 5600K | 3200K - Daylite |
| 10 | 40 | 42 | 45 | 47 | 38 |
| (3) | (431) | (452) | (484) | (506) | (409) |