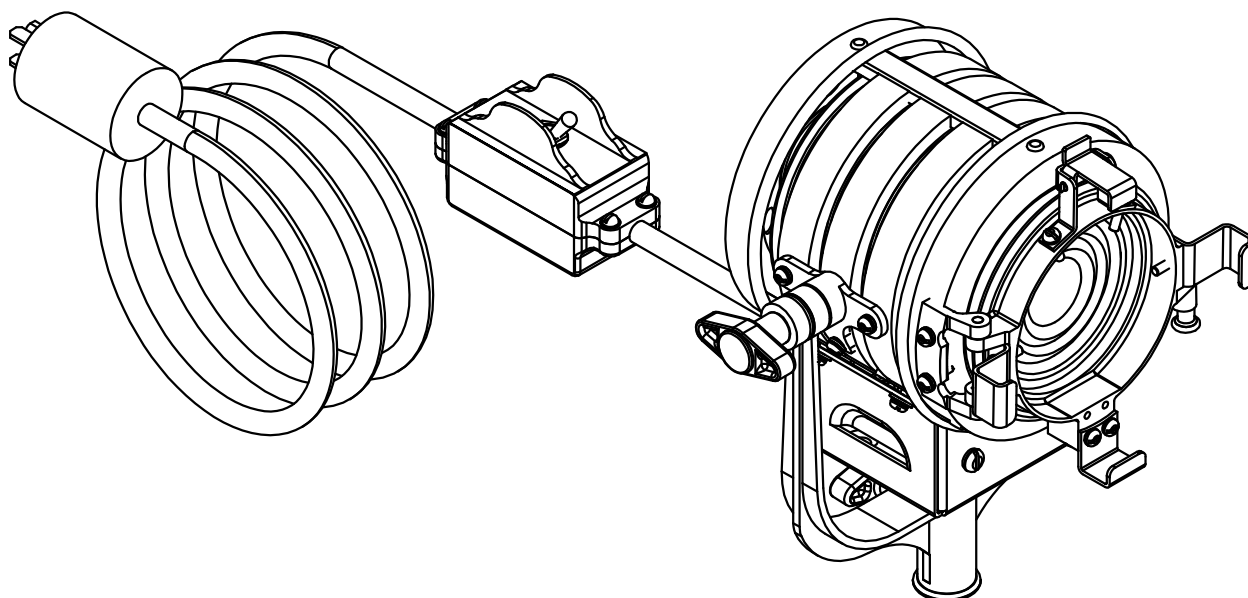

PARTS FOR 3131 BETWEENIE
300 WATTS®

ORDER PART NUMBER AND QUANTITY DESIRED



313 BETWEENIE
300 WATTS LAMP ASSY.

MOLE—RICHARDSON

937 North Sycamore Ave.
Hollywood, CA. 90038

Tel: (323) 851-0111 Fax: (323) 851-5593

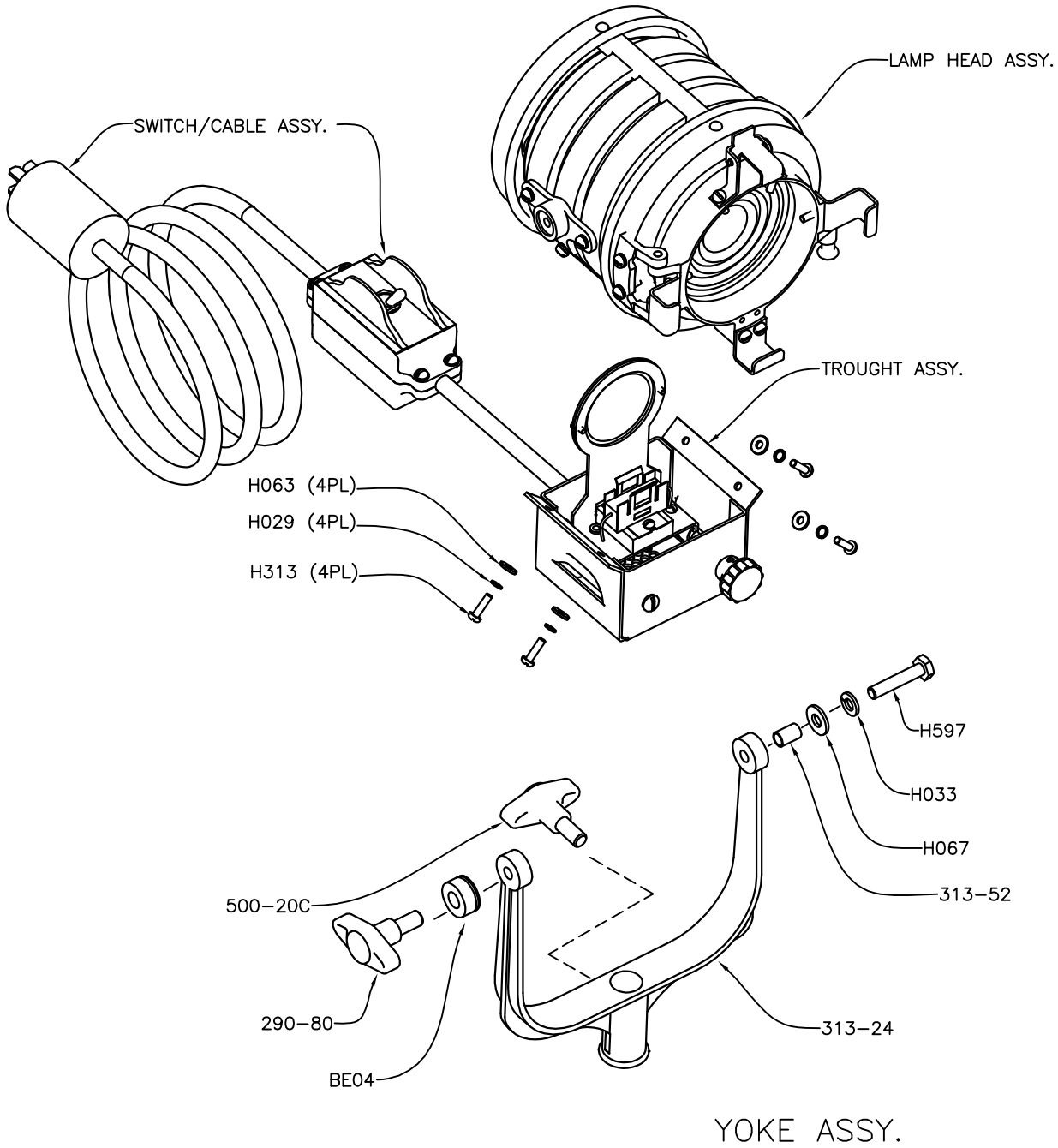
E-mail: INFO@MOLE.COM

WWW.MOLE.COM

Manufacturing • Sales • Rentals • Studio Depot • Moletown

PARTS FOR 3131 BETWEENIE
300 WATTS®

ORDER PART NUMBER AND QUANTITY DESIRED



MOLE-RICHARDSON

937 North Sycamore Ave.
Hollywood, CA. 90038
Tel: (323) 851-0111 Fax: (323) 851-5593

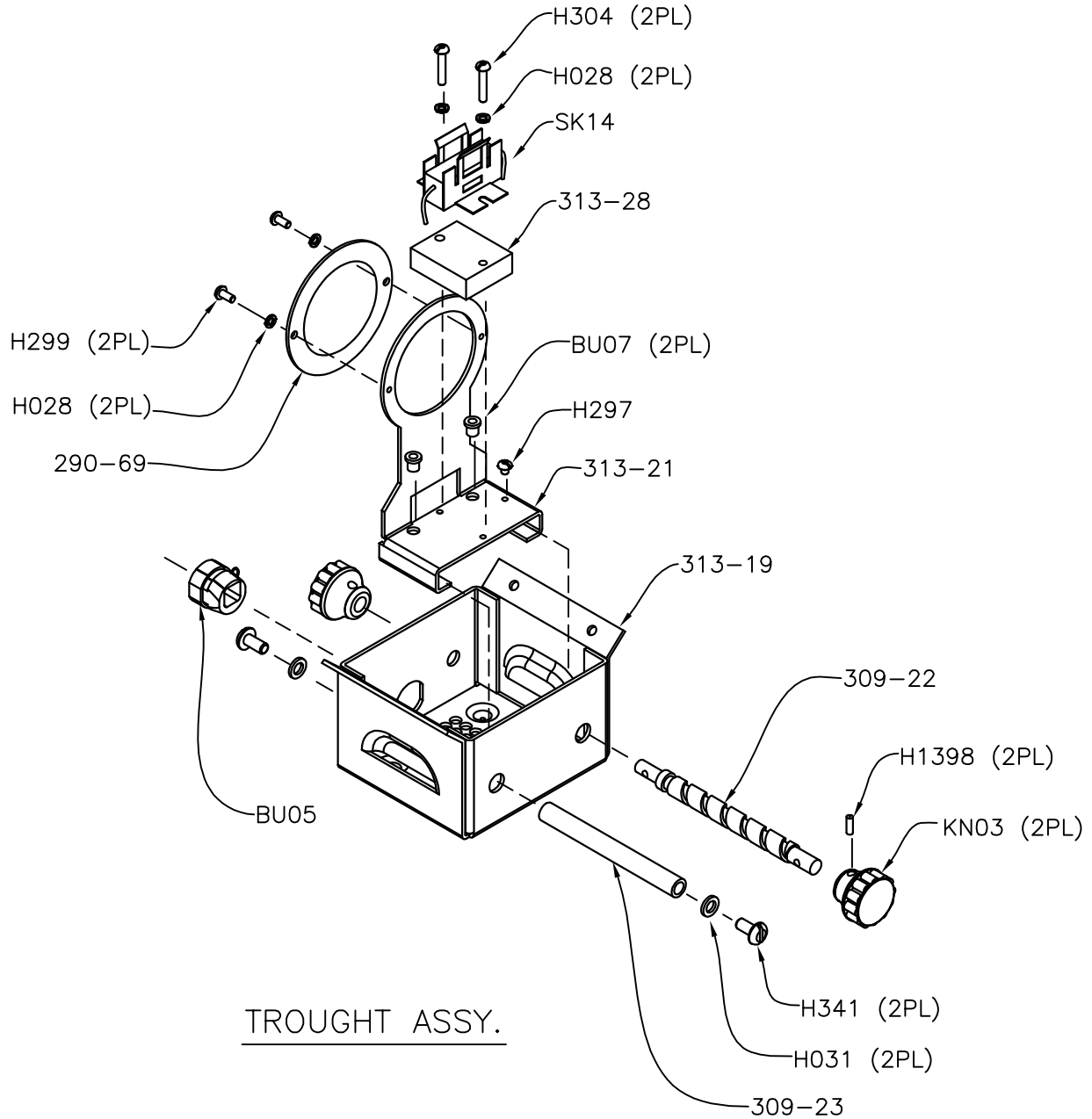
E-mail: INFO@MOLE.COM

WWW.MOLE.COM

Manufacturing · Sales · Rentals · Studio Depot · Moletown

PARTS FOR 3131 BETWEENIE
300 WATTS®

ORDER PART NUMBER AND QUANTITY DESIRED



MOLE—RICHARDSON

937 North Sycamore Ave.
Hollywood, CA. 90038
Tel: (323) 851-0111 Fax: (323) 851-5593

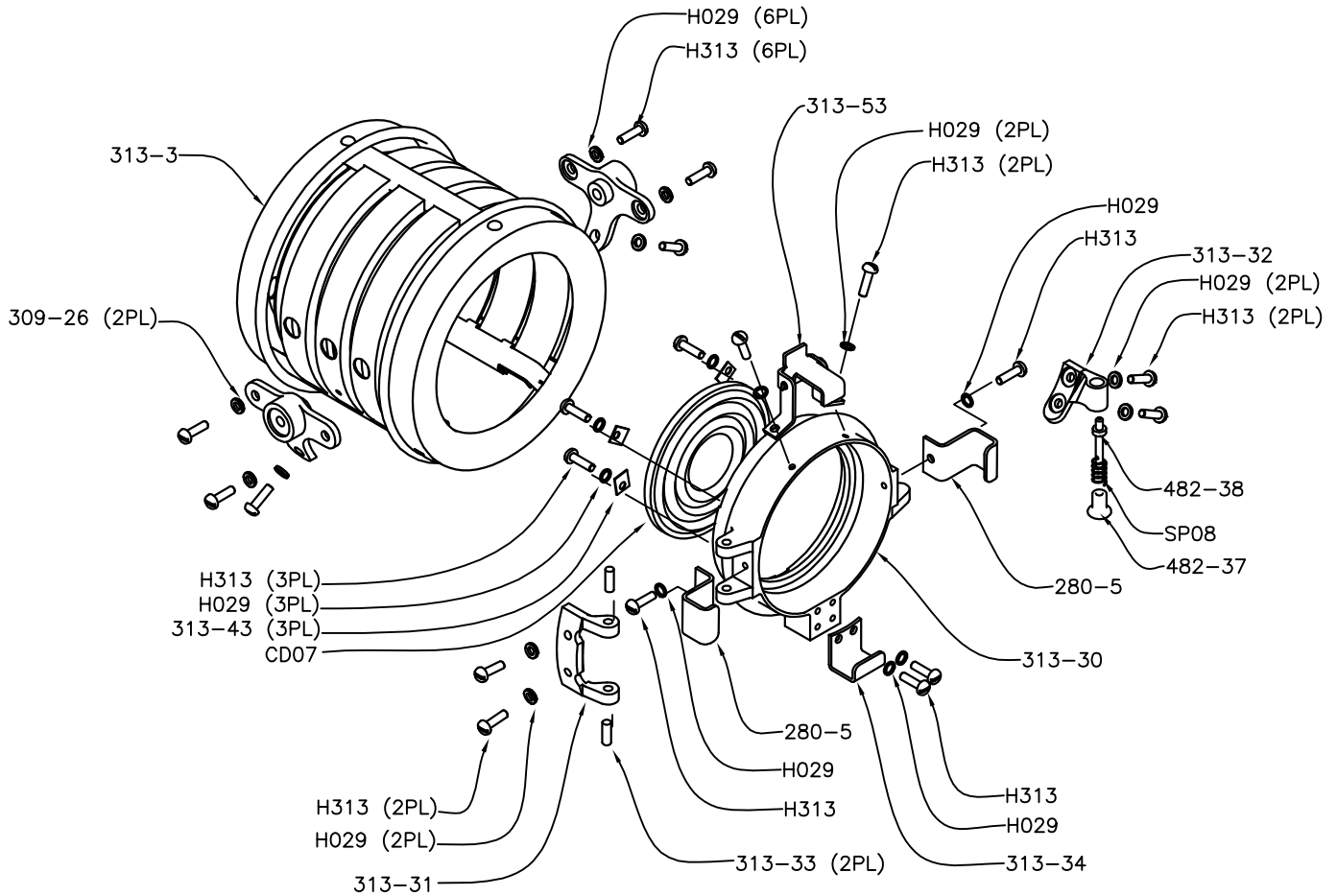
E-mail: INFO@MOLE.COM

WWW.MOLE.COM

Manufacturing • Sales • Rentals • Studio Depot • Moletown

PARTS FOR 3131 BETWEENIE
300 WATTS®

ORDER PART NUMBER AND QUANTITY DESIRED



LAMP HEAD ASSY.

MOLE—RICHARDSON

937 North Sycamore Ave.
Hollywood, CA. 90038
Tel:(323) 851-0111 Fax:(323) 851-5593

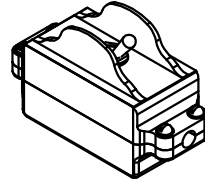
E-mail: INFO@MOLE.COM

WWW.MOLE.COM

Manufacturing • Sales • Rentals • Studio Depot • Moletown

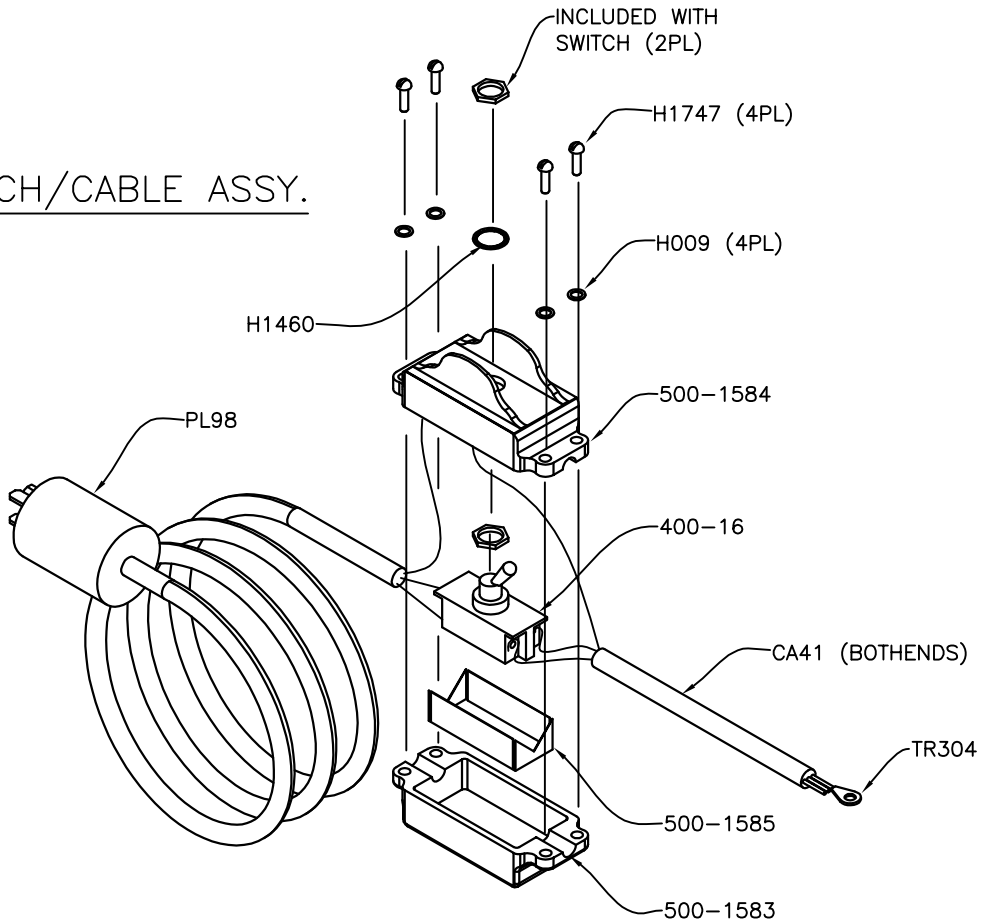
PARTS FOR 3131 BETWEENIE
300 WATTS®

ORDER PART NUMBER AND QUANTITY DESIRED



COMPLETE SWITCH BOX ASSY.
(500-1582)

SWITCH/CABLE ASSY.



MOLE-RICHARDSON

937 North Sycamore Ave.
Hollywood, CA. 90038
Tel: (323) 851-0111 Fax: (323) 851-5593

E-mail: INFO@MOLE.COM

WWW.MOLE.COM

Manufacturing • Sales • Rentals • Studio Depot • Moletown
