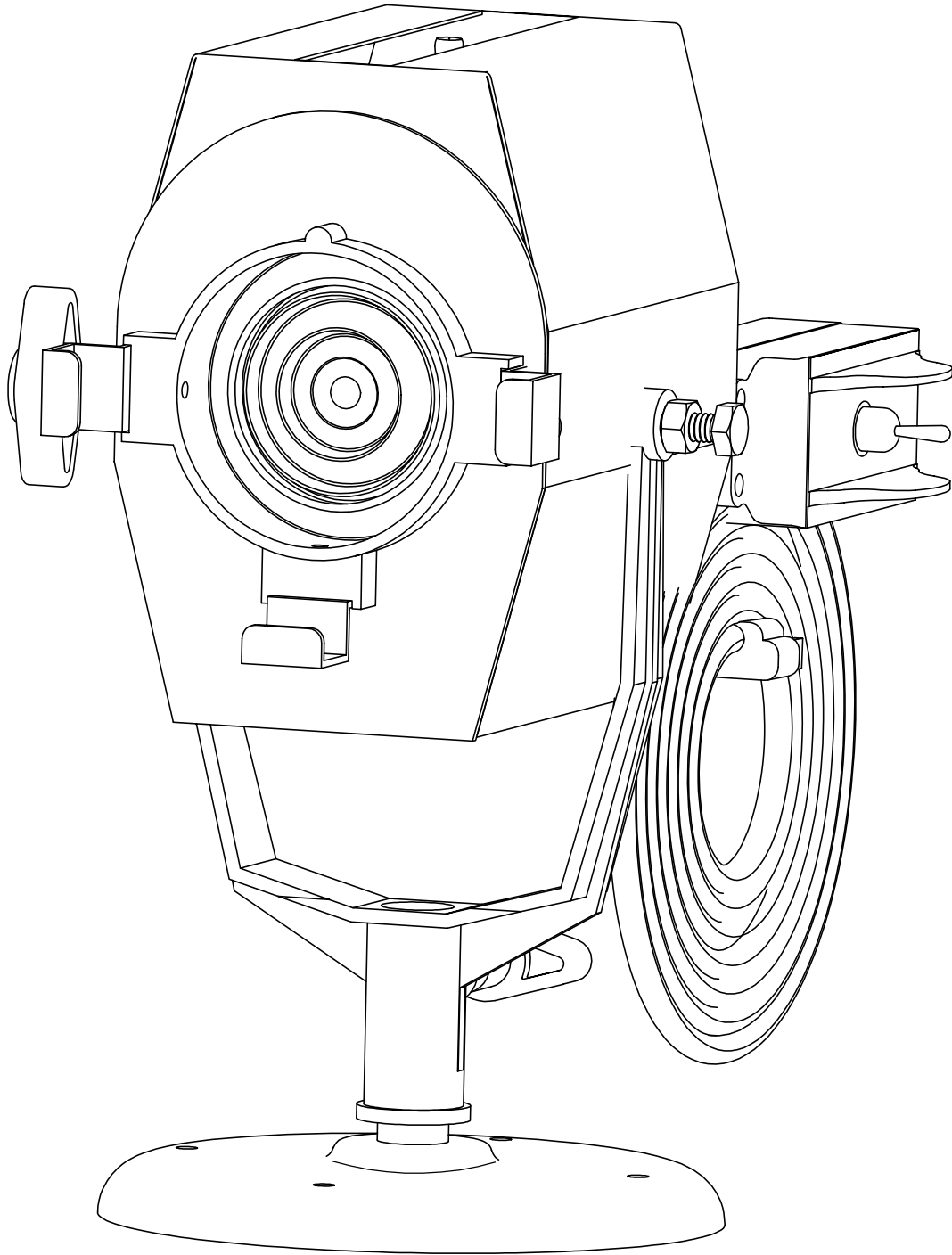

parts for type 2801
mini-mole solarspot®

order part number and quantity desired



mole-richardson

937 north sycamore ave.

hollywood, ca. 90038

tel:(323) 851-0111 fax:(323) 851-5593

e-mail: info@mole.com

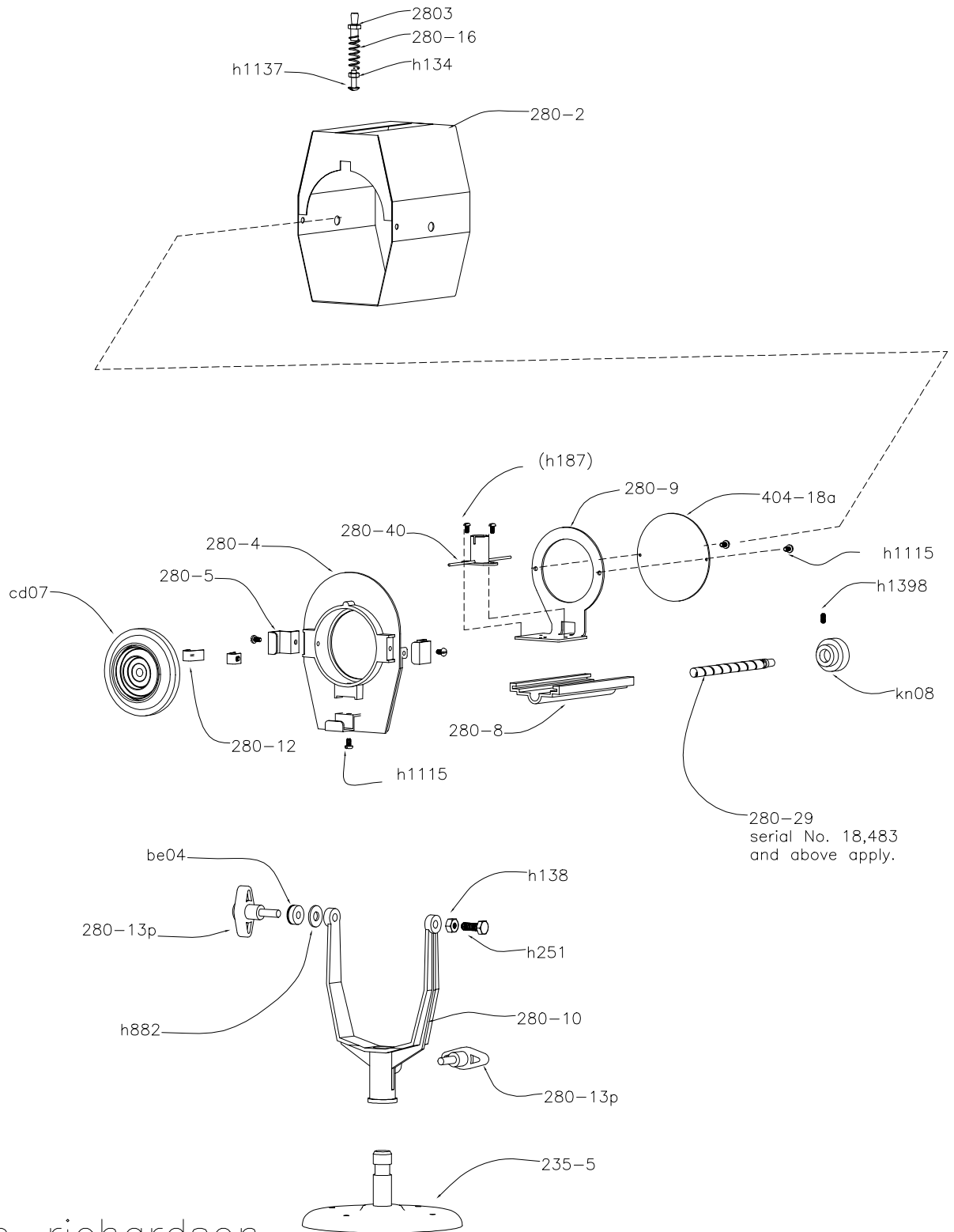
www.mole.com

manufacturing • sales • rentals

studio depot • moletown

parts for type 2801
mini-mole solarspot®

order part number and quantity desired



mole-richardson

937 north sycamore ave.
hollywood, ca. 90038
tel:(323) 851-0111 fax:(323) 851-5593

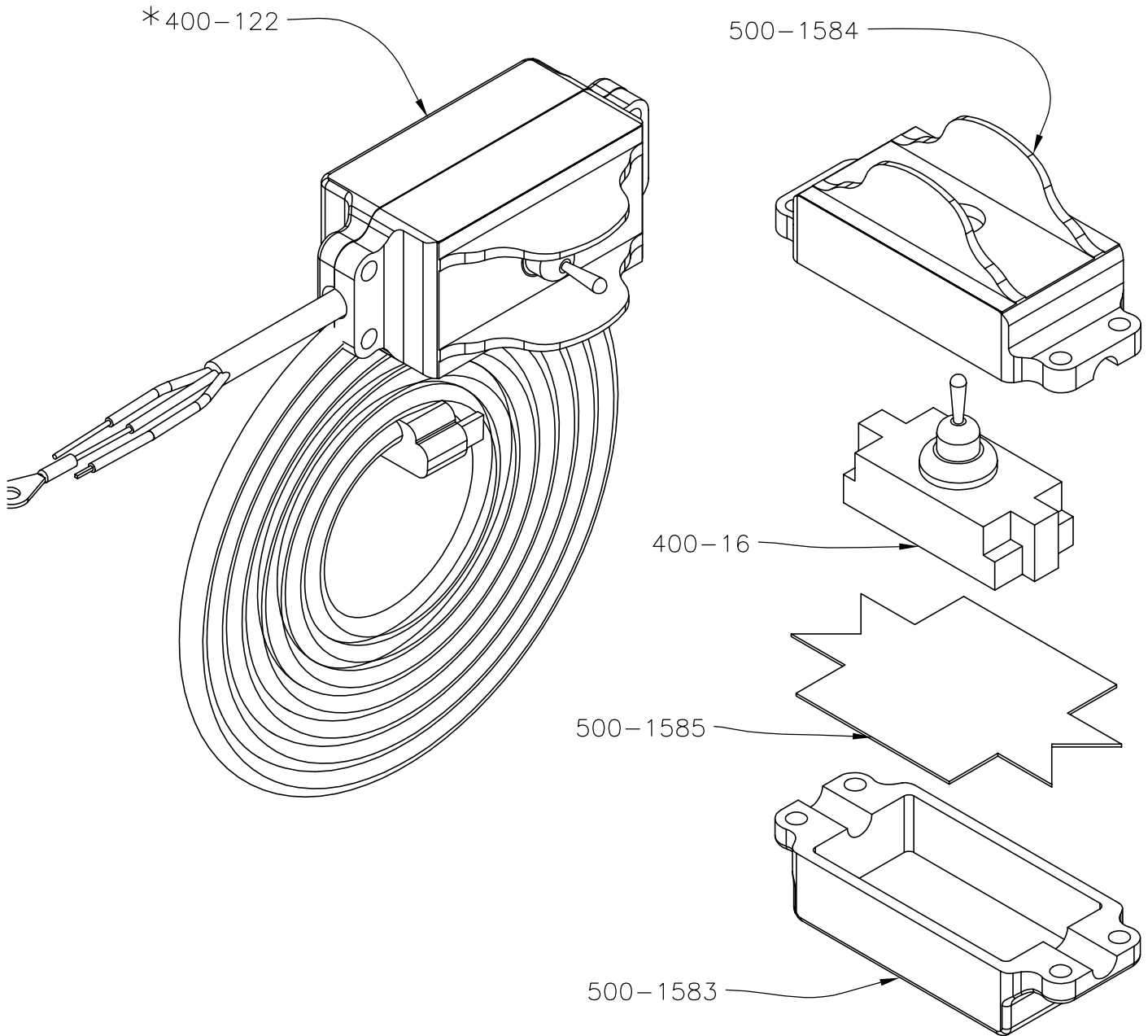
e-mail: info@mole.com

www.mole.com

manufacturing · sales · rentals studio depot · moletown

parts for type 2801
mini-mole solarspot®

order part number and quantity desired



*complete switch & cable assembly

mole-richardson

937 north sycamore ave.
hollywood, ca. 90038
tel:(323) 851-0111 fax:(323) 851-5593

e-mail: info@mole.com

www.mole.com

manufacturing • sales • rentals studio depot • moletown
