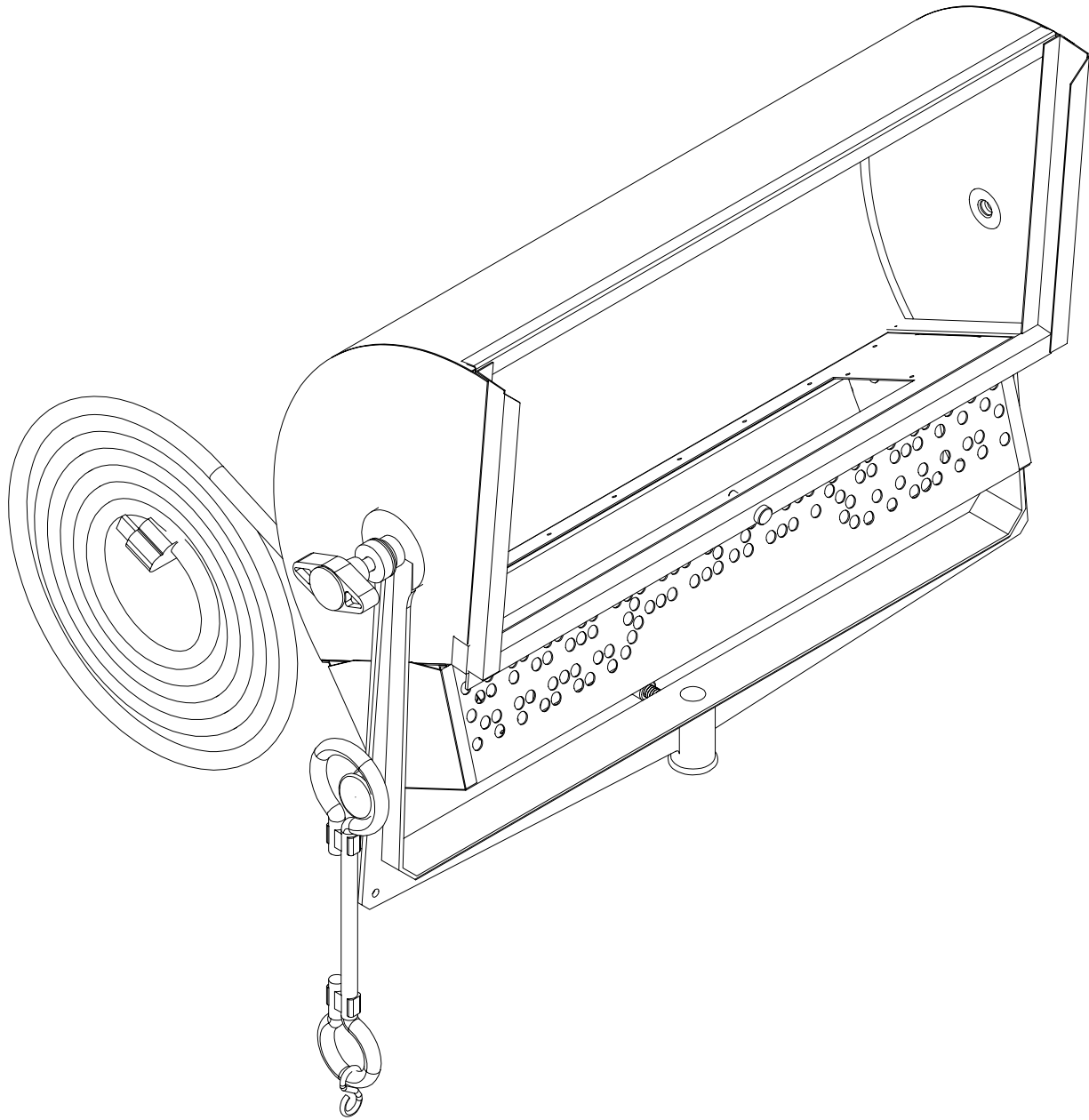

parts for type 2591
2,000 watt molequartz[®] 2k baby "zip" softlite

order part number and quantity desired



mole—richardson

937 north sycamore ave.
hollywood, ca. 90038

tel:(323) 851-0111 fax:(323) 851-5593

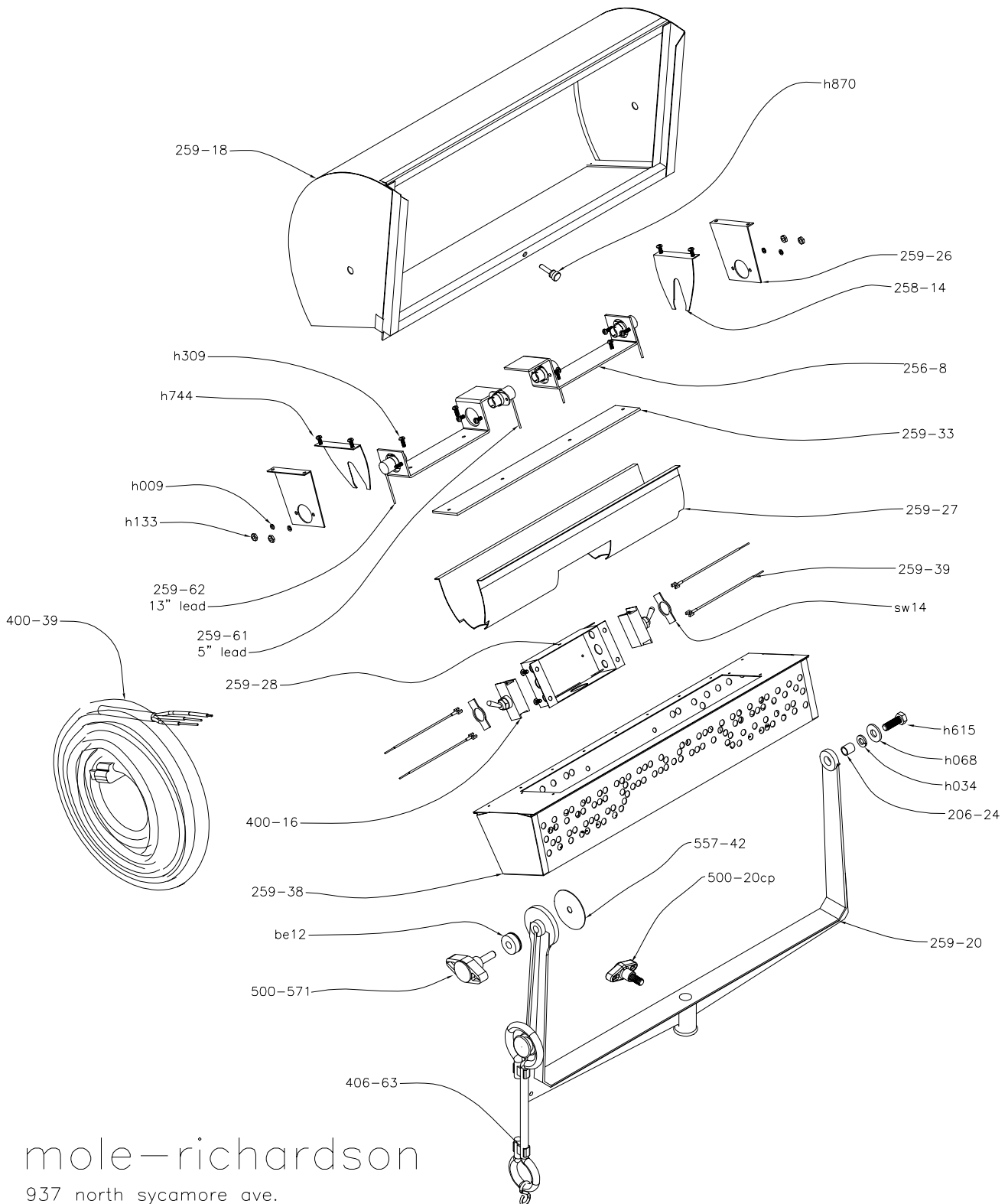
e-mail: info@mole.com

www.mole.com

manufacturing • sales • rentals studio depot moletown

parts for type 2591
2,000 watt molequartz[®] 2k baby "zip" softlite

order part number and quantity desired



mole-richardson

937 north sycamore ave.
hollywood, ca. 90038
tel:(323) 851-0111 fax:(323) 851-5593

e-mail: info@mole.com

www.mole.com

manufacturing • sales • rentals • studio depot • moletown
