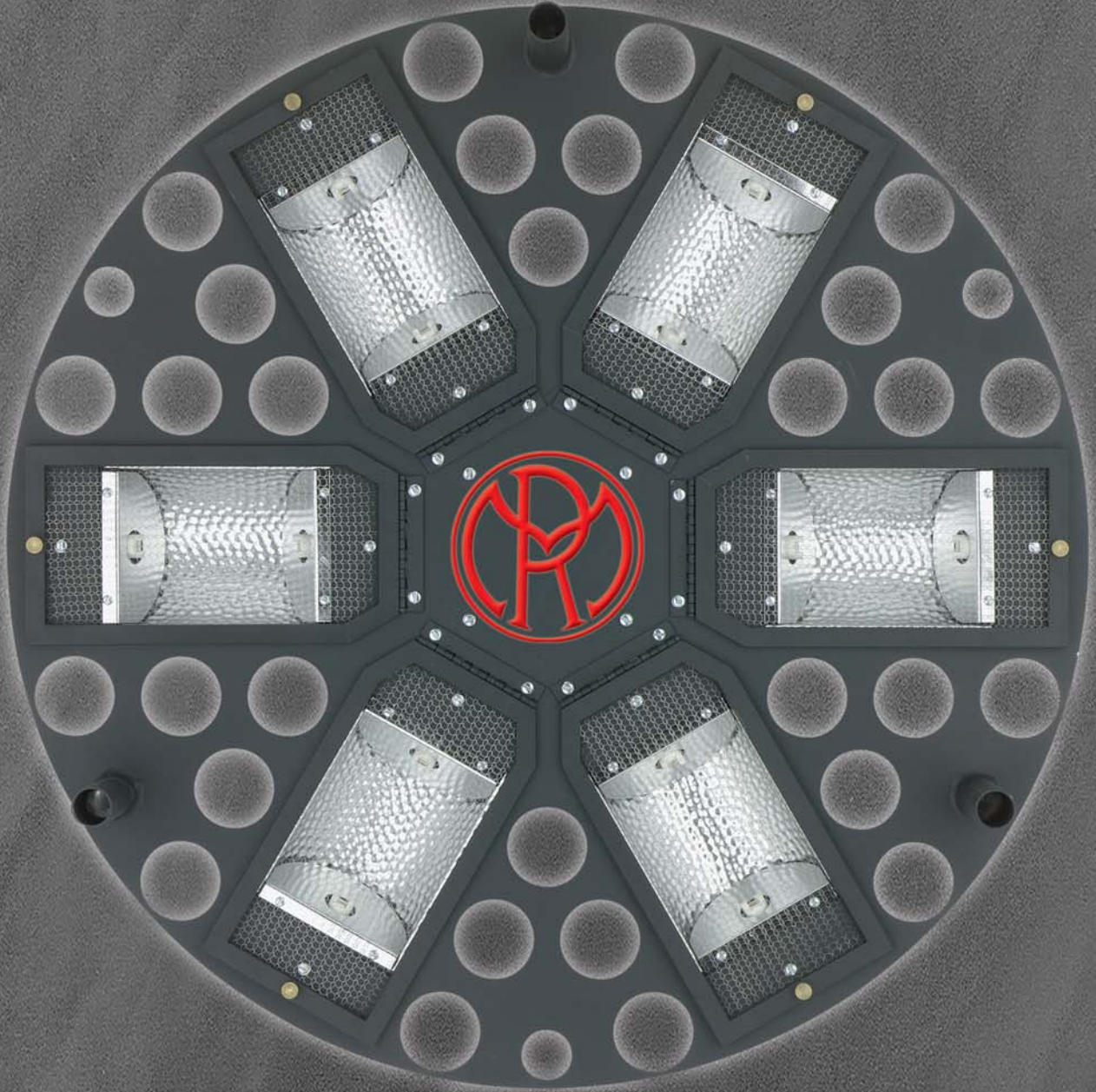


SPACELITES



Mole-Richardson Co.



1,000 WATTS

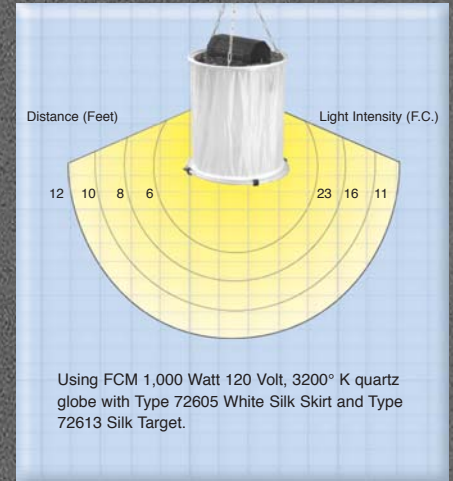
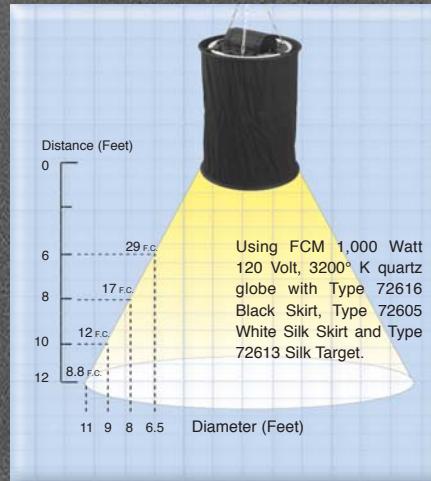
TYPE 7261

The Type 7261 1,000 Watt Spacelite brings to the Motion Picture Industry our smallest lantern light. This lantern light with the black and internal silk can reflect a pool of light downward or just remove the outside black skirt for a full lantern effect. Each globe set is equipped with a safety screen.



- RATING:** 120/240 volts A.C. or D.C., 8.3 amps max. — 1,000 watts.
- SOCKET:** Compressible single contact (2 per Globe).
- CIRCUIT:** One-1,000 Watt circuit with choice of plug.
- CABLE:** One-2 ft. Type SO, 3-conductor #16 AWG. (Specify type of plug when ordering).
- CONSTRUCTION:** Rugged, Sheet Aluminum.
- HANGER:** Attached chrome plated steel chain.
- REFLECTOR:** Alzak Aluminum.
- SIZE:** 13 1/2" diameter.
- FINISH:** High Heat Black Powder Coated Enamel.
- WEIGHT:** 4 lbs. (Unit only)
9 lbs. (Unit with Skirt, Silk and Target)

PERFORMANCE DATA CHARTS



*Light tapers smoothly at edge of field. Dimensions listed define flat area boundaries at which the intensities are approximately 50% of tabulated intensities at beam center.



2,000 WATTS

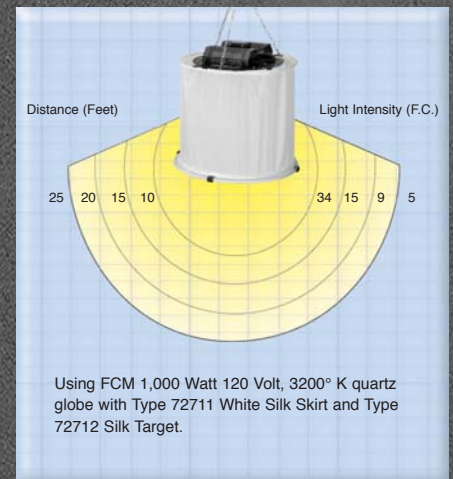
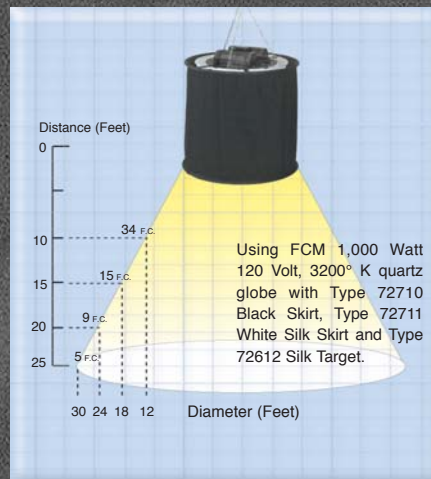
TYPE 7271

The Type 7271 2,000 Watt Spacelite brings to the Motion Picture Industry one of the smallest lantern light. This lantern light with the black and internal silk can reflect a pool of light downward or just remove the outside black skirt for a full lantern effect. Each globe set is equipped with a safety screen.



- RATING:** 120/240 volts A.C. or D.C., 16.7 amps max. — 2,000 watts.
- SOCKET:** Compressible single contact (2 per Globe).
- CIRCUIT:** Two-1,000 Watt circuit with choice of plug.
- CABLE:** Two-2 ft. Type SO, 3-conductor #16 AWG. (Specify type of plug when ordering).
- CONSTRUCTION:** Rugged, Sheet Aluminum.
- HANGER:** Attached chrome plated steel chain.
- REFLECTOR:** Alzak Aluminum.
- SIZE:** 16 1/2" diameter.
- FINISH:** High Heat Black Powder Coated Enamel.
- WEIGHT:** 7 lbs. (Unit only)
19 lbs. (Unit with Skirt, Silk and Target)

PERFORMANCE DATA CHARTS



*Light tapers smoothly at edge of field. Dimensions listed define flat area boundaries at which the intensities are approximately 50% of tabulated intensities at beam center.



6,000 WATTS

TYPE 7291



The Type 7291 6,000 Watt Spacelite brings to the Motion Picture Industry a more diversified lantern light. With the addition of a 6 circuit socapex connector, this unit can be powered and controlled with the existing socapex multi-circuit control system. There is a 1 circuit or 2 circuit or 2 circuit adapter available, or attach a socapex cable and have 6 circuits of control. Each globe set is equipped with a safety screen.

RATING: 120/240 volts A.C. or D.C., 50 amps max. — 6,000 watts.

SOCKET: Compressible single contact (2 per Globe).

CIRCUIT: Six-1,000 Watt circuit with Panel Mount Socapex Connector.

CONSTRUCTION: Rugged, Sheet Aluminum.

HANGER: Attached chrome plated steel chain.

REFLECTOR: Alzak Aluminum.

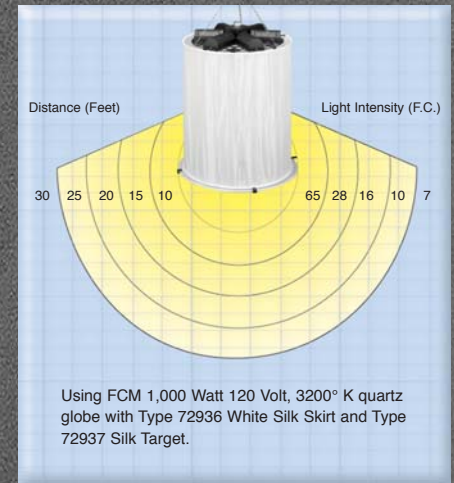
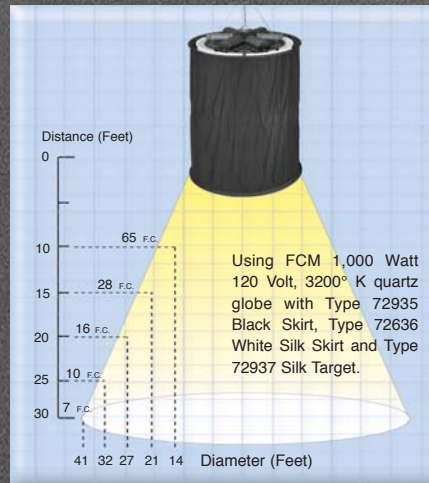
SIZE: 27³/₄" diameter.

FINISH: High Heat Black Powder Coated Enamel.

WEIGHT: 16 lbs.(Unit only)

34 lbs.(Unit with Skirt, Silk and Target)

PERFORMANCE DATA CHARTS



*Light tapers smoothly at edge of field. Dimensions listed define flat area boundaries at which the intensities are approximately 50% of tabulated intensities at beam center.



12,000 WATTS

TYPE 7281



The Type 7281 12,000 Watt Spacelite brings to the Motion Picture Industry our largest lantern light. With a 6 circuit socapex connector, this unit can be powered and controlled with the existing socapex multi-circuit control system. There is a 1 circuit or 2 circuit adapter available, or attach a socapex cable and have 6 circuits of control. Each globe set is equipped with a safety screen.

RATING: 120/240 volts A.C. or D.C., 100 amps max. — 12,000 watts.

SOCKET: Compressible single contact (2 per Globe).

CIRCUIT: Six-2,000 Watt circuit with Panel Mount Socapex Connector.

CONSTRUCTION: Rugged, Sheet Aluminum.

HANGER: Attached chrome plated steel chain.

REFLECTOR: Alzak Aluminum.

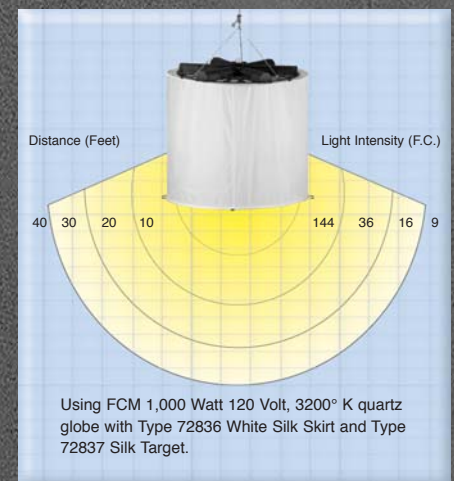
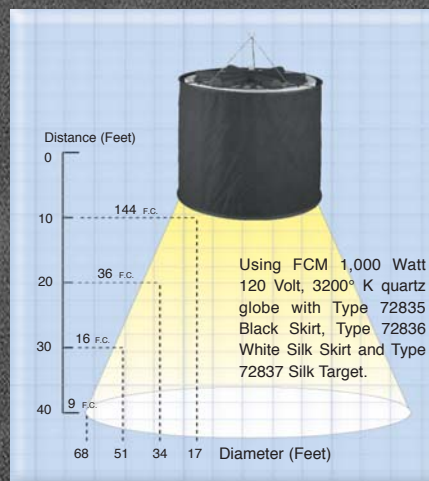
SIZE: 45" diameter.

FINISH: High Heat Black Powder Coated Enamel.

WEIGHT: 30 lbs.(Unit only)

56 lbs.(Unit with Skirt, Silk and Target)

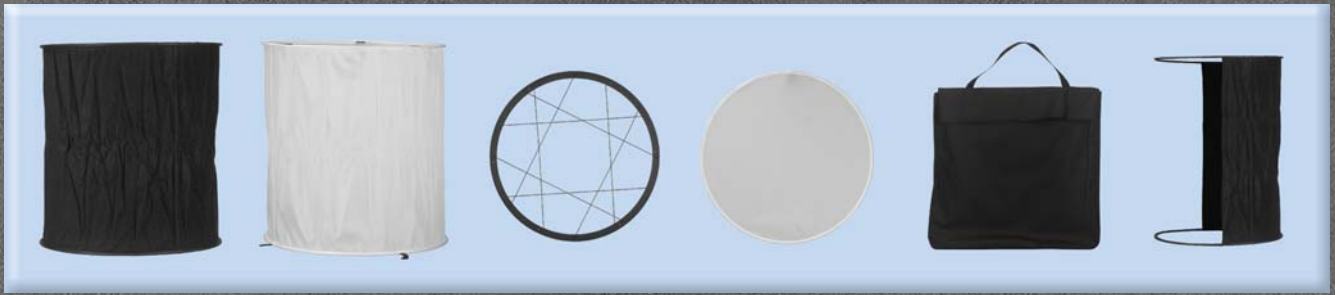
PERFORMANCE DATA CHARTS



*Light tapers smoothly at edge of field. Dimensions listed define flat area boundaries at which the intensities are approximately 50% of tabulated intensities at beam center.

ACCESSORIES

LIT11-B



Model/Watts	Black Skirt	Silk Skirt	Diffuser Frame	Silk Target	Skirt Bag	Half Black Skirt
Type 7261 1K	Type 72616	Type 72605	Type 72621	Type 72613	Type G139	Type 72622
Type 7271 2K	Type 72710	Type 72711	Type 72729	Type 72712	Type G140	Type 72731
Type 7291 6K	Type 72935	Type 72936	Type 72957	Type 72937	Type G12100	Type 72977
Type 7281 12K	Type 72835	Type 72836	Type 72857	Type 72837	Type G20025	NA

SOCAPEX ADAPTERS



Model/Watts	1-60 Amp Bates	2-60 Amps Bates	3 House Plugs	3-20 Amp Bates	6-20 Amp Bates	6 House Plugs	1-100 Amp Bates
Type 7291 6K	Type 72978	Type 72956	Type 72966	Type 72955	Type 5833	Type 5835	NA
Type 7281 12K	NA	Type 72956	NA	NA	Type 5833	Type 5835	Type 72861

GLOBE TABLE

Base, recessed single contact. Burn horizontal $\pm 4^\circ$ T-3 bulb; 411/16" M.O.L.

Watts	Ordering Code	Color Temp °K	Finish	Volts	Life Hours	Amps
1000	FCM	3200	Clear	120	300	8.3
1000	FHM	3200	Frost	120	300	8.3
800	EME	3200	Clear	240	250	3.3
800	EMF	3200	Frost	240	250	3.3
750	EMD	3200	Frost	120	400	6.3
750	EJG	3200	Clear	120	400	6.3
500	FDF	3200	Clear	120	400	4.2
500	FDN	3200	Frost	120	400	4.2
500	FCL	3000	Clear	120	2600	4.2
500	FCZ	3000	Frost	120	2600	4.2
300	EHM	2950	Clear	120	2000	2.5
300	EHZ	2950	Frost	120	2000	2.5



937 North Sycamore Avenue, Hollywood, California 90038-2384 U.S.A.
 Tel: (323) 851-0111 • Fax: (323) 851-5593 • E-mail: info@mole.com • Web www.mole.com

