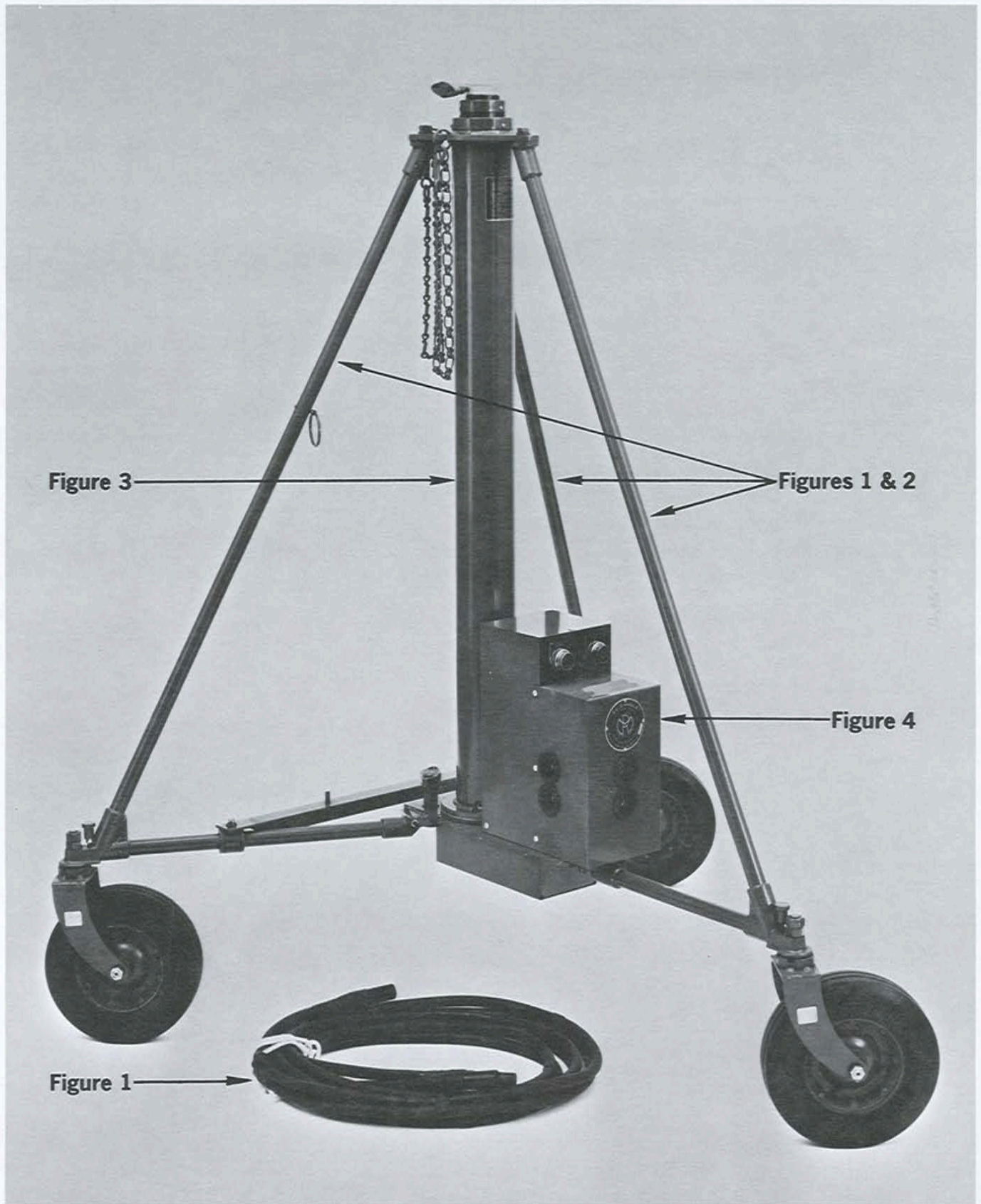




TYPE 325 MOLEVATOR®

325A941



259



Mole-Richardson Co.



Tel. (323) 851-0111 Fax. (323) 851-5593 E-mail: info@mole.com Internet: <http://www.mole.com> 937 N. Sycamore Ave., Hollywood, California 90038-2384 U.S.A.

©Mole-Richardson Co., Hollywood, California U.S.A.



TYPE 325 MOLEVATOR®

325B941

PARTS ORDERING INFORMATION

IMPORTANT

Please furnish serial number of Molevator® for which parts are required.

Note 1: If motor (325-92) is needed for replacement in a Molevator® serial number 1 thru 202, the following parts are required:

- 325-138 Motor Replacement Kit consisting of the following:
 - 325-92 Motor
 - 325-110 Motor Mounting Frame Assembly
 - 325-117 Motor Sprocket Assembly (and mounting hardware:
 - 325-91 P28, 325-91 P29, 325-91 P31)
 - 325-121 Relay Mounting Assembly
 - 325-122 Motor Cover Assembly

Note 2: If complete motor mounting assembly (325-91) is purchased for replacement in a Molevator® serial numbered 1 thru 202, the following part is also required:

- 325-122 Motor Cover Assembly

MAINTENANCE INSTRUCTIONS FOR TYPE 325 MOLEVATOR®

MANUAL OPERATION

In case of power or other failure:

- 1 - Disconnect Power Supply.
- 2 - Remove Bottom Pan (325-29)
- 3 - Hold Sprocket (325-141) from turning
- 4 - Remove chain connector link and chain (325-2 P13)
- 5 - Rotate Sprocket (325-141) to raise or lower

260

LUBRICATION (every six months)

COLUMN ASSEMBLY:

- 1 - Remove Top Casting (325-50)
- 2 - Pour in 2 to 3 fluid ounces of Mineral Oil without additives S.A.E. 250 viscosity, 600 minium flash (M-R 600W Gear Oil).
- 3 - Replace Top Casting (325-50)
- 4 - Operate to distribute oil.

RISER TUBES:

Wipe powdered graphite on exposed surface.

AT BOTTOM PAN:

- Lower Bearing - Apply Valvolene BG-3 Wheel Bearing Grease or equivalent with gun at fitting (325-7 P2).
- Drive Chain - Apply Mineral Oil, medium consistency without additives, on chain plates (325-2 P13). Wipe off excess oil.

WIRING DIAGRAM INSIDE MOTOR COVER (325-122)



Mole-Richardson Co.

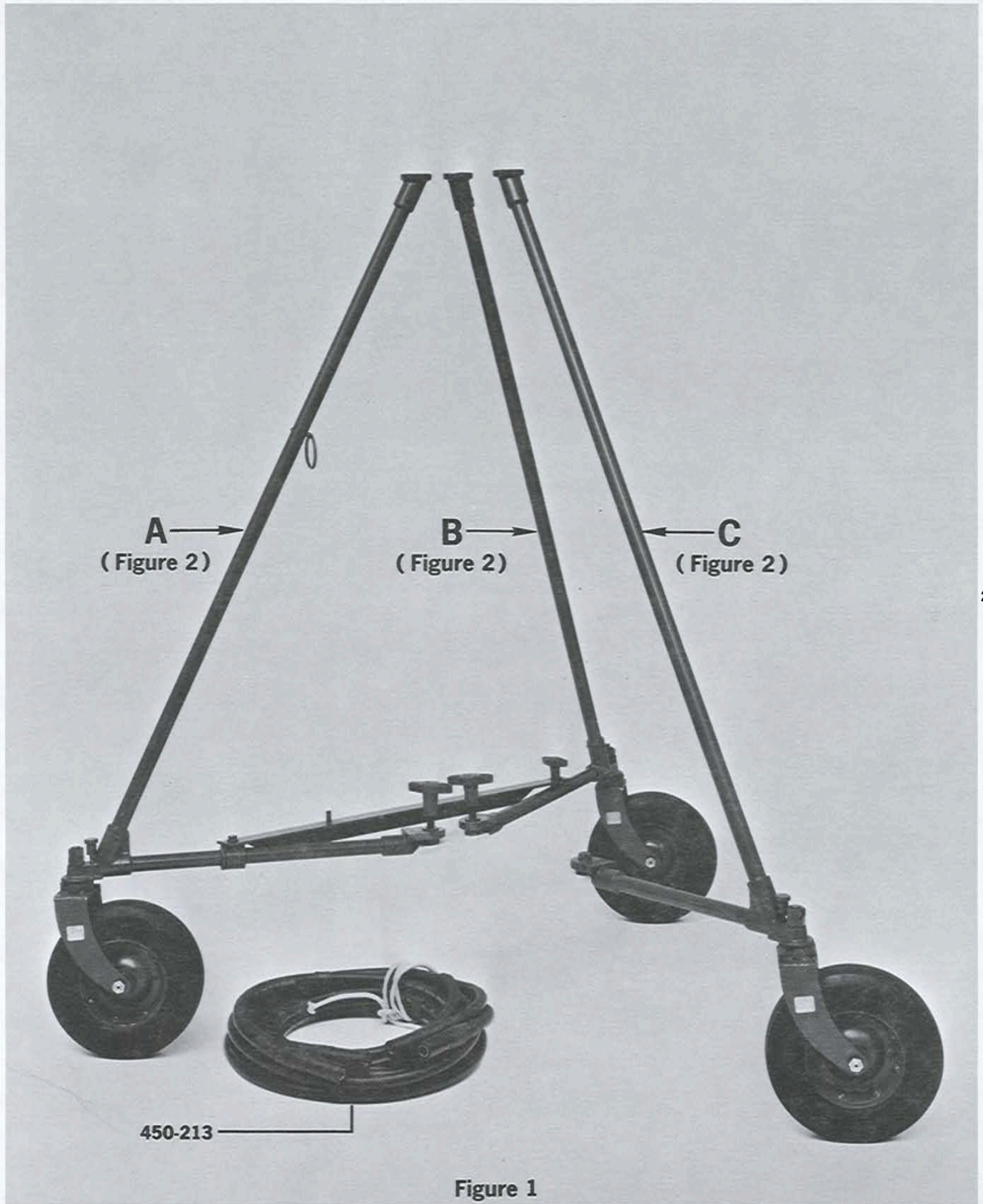




PARTS FOR TYPE 325 MOLEVATOR®

325C941

When Ordering, Designate Serial Number of Molevator®



261

Figure 1



Mole-Richardson Co.



Tel. (323) 851-0111 Fax. (323) 851-5593 E-mail: info@mole.com Internet: <http://www.mole.com> 937 N. Sycamore Ave., Hollywood, California 90038-2384 U.S.A.

©Mole-Richardson Co., Hollywood, California U.S.A.



PARTS FOR TYPE 325 MOLEVATOR®

325D941

When Ordering, Designate Serial Number of Molevator®

262

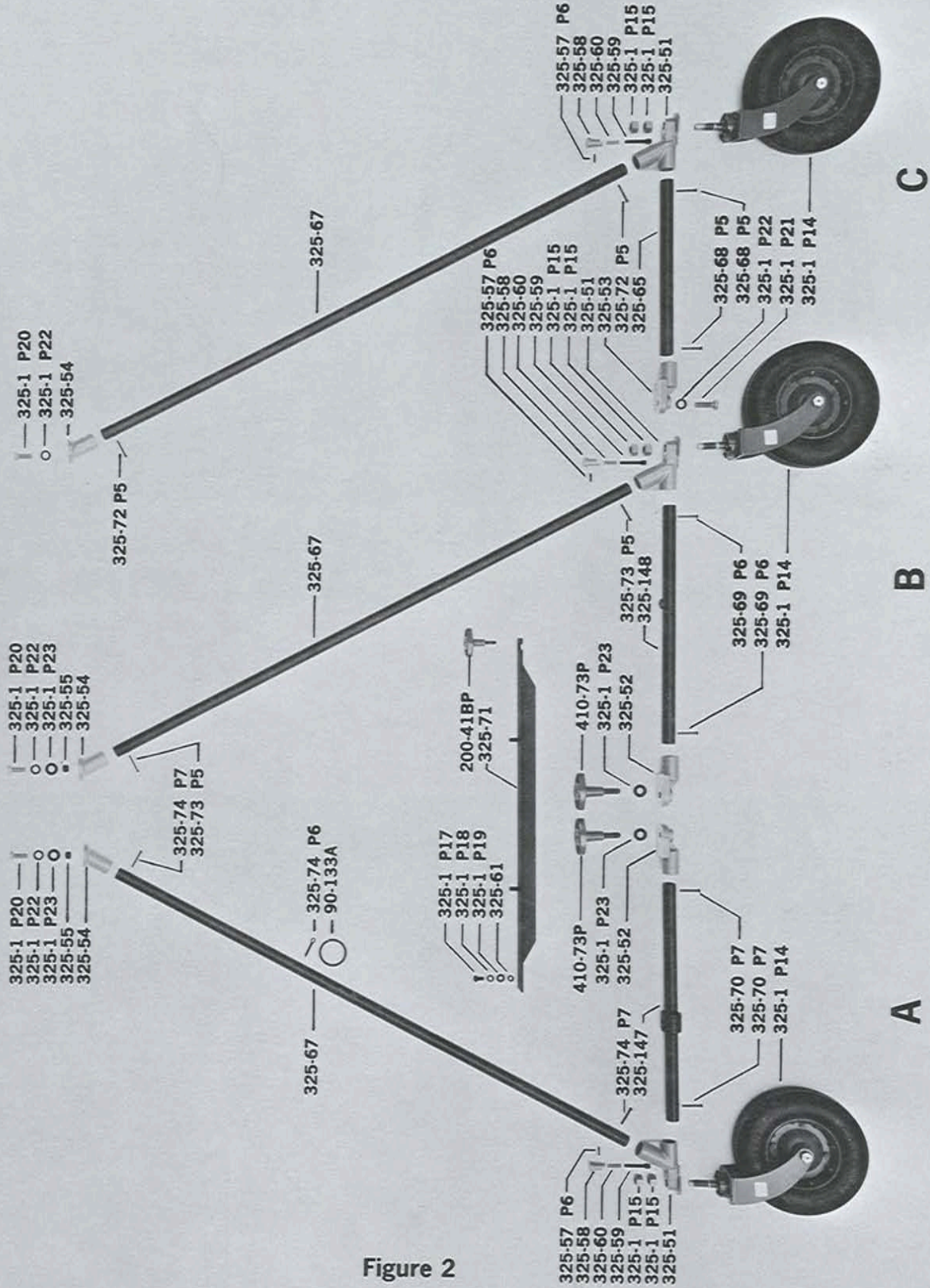


Figure 2



Mole-Richardson Co.





PARTS FOR TYPE 325 MOLEVATOR®

325F941

When Ordering, Designate Serial Number of Molevator®

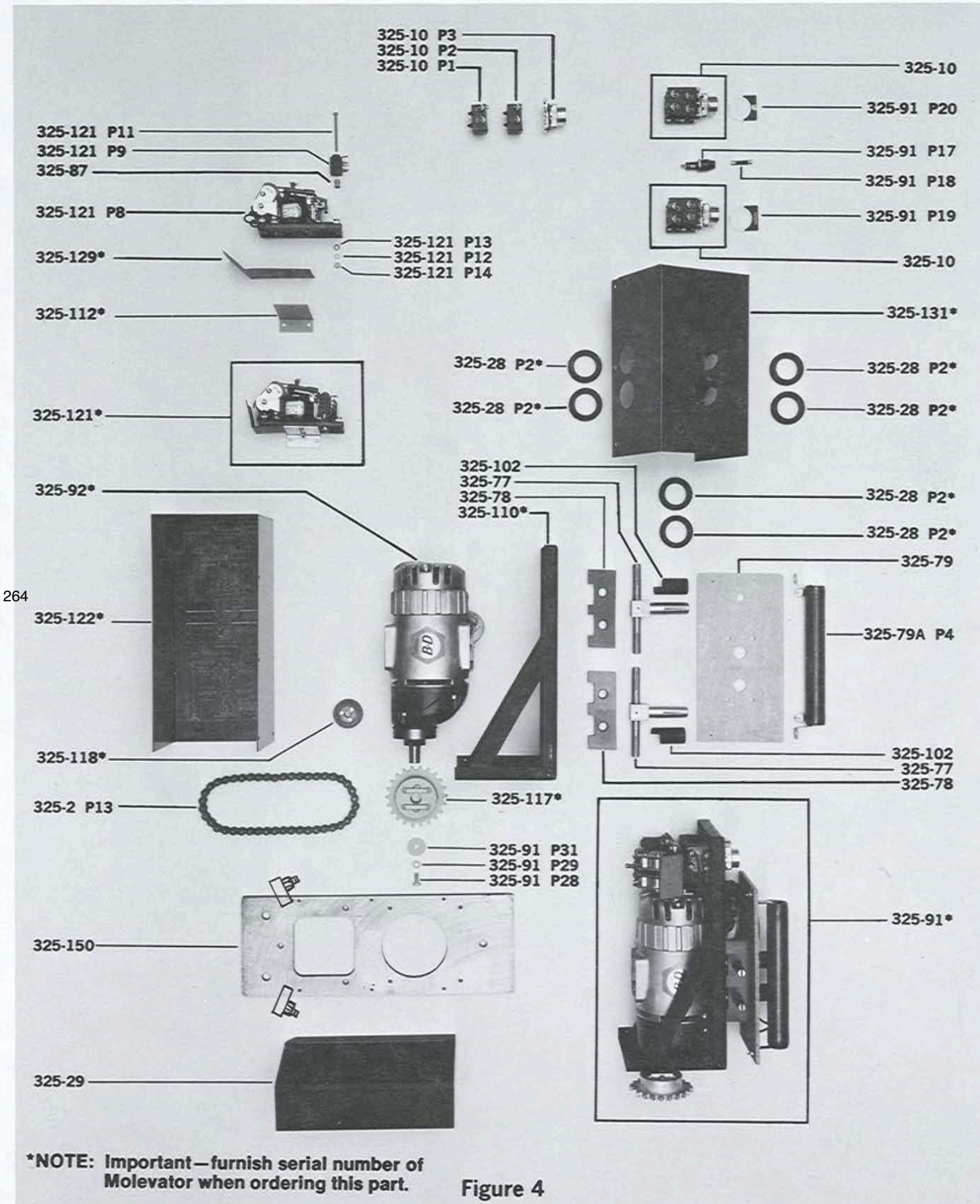


Figure 4



Mole-Richardson Co.

